

SPRO[®]

DHD20/2713RV-W-4

2MP VANDAL RESISTANT IR DOME CAMERA



2 MEGAPIXEL



2.7 ~ 13.5 MM



30m IR



IP66



VANDAL PROOF

Key Features:

- 2Megapixel CMOS
- 1080P@25fps
- High speed, long distance real-time transmission
- 2.7~13.5mm vari-focal lens
- Max. IR distance 30m, Smart IR
- IP66 waterproof
- IK10 vandal resistance
- DC12V



SPECIFICATIONS

Model Number	DHD20/2713RV-W-4
Image Sensor	1/2.7" CMOS
Effective Pixels	1920(H)×1080(V), 2MP
Scanning System	Progressive
Electronic Shutter Speed	1/25~1/100000s
Min. Illumination	0.02Lux/F1.3, 30IRE, 0Lux IR on
S/N Ratio	More than 65dB
Max. IR LEDs Length	Up to 30m
IR On/Off Control	Auto/ Manual
IR LEDs	2

(continued)

Lens

Lens Type	Vari-focal lens
Mount Type	Board-in
Focal Length	2.7-13.5mm
Max Aperture	F1.3
Angle of View	H: 106°~30°
Focus Control	Manual

Pan/Tilt/Rotation

Pan/Tilt/Rotation Range	Pan:0°~355° / Tilt: 0° ~ 75° / Rotation: 0° ~ 355°
--------------------------------	--

Video

Resolution	1080P (1920×1080)
Frame Rate	25fps@1080P, 25/50fps@720P
Video Output	1-channel BNC high definition video output / CVBS video output
Day/Night	Auto (ICR) / Manual
OSD Menu	Multi-language
BLC Mode	BLC / HLC / DWDR
WDR	DWDR
Gain Control	AGC
Noise Reduction	2D
White Balance	Auto / Manual
Smart IR	Auto / Manual

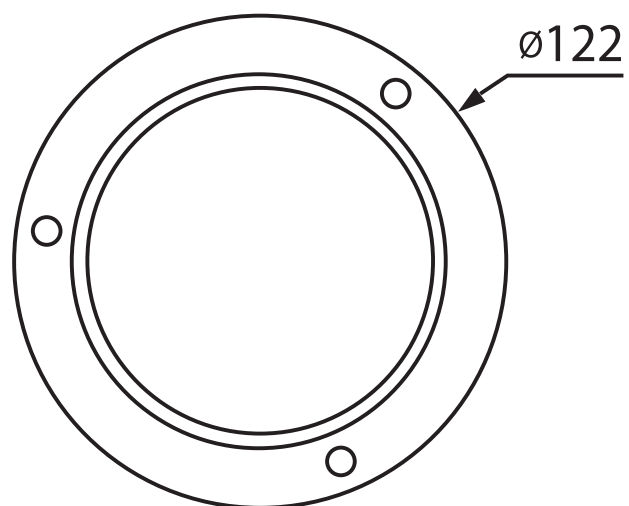
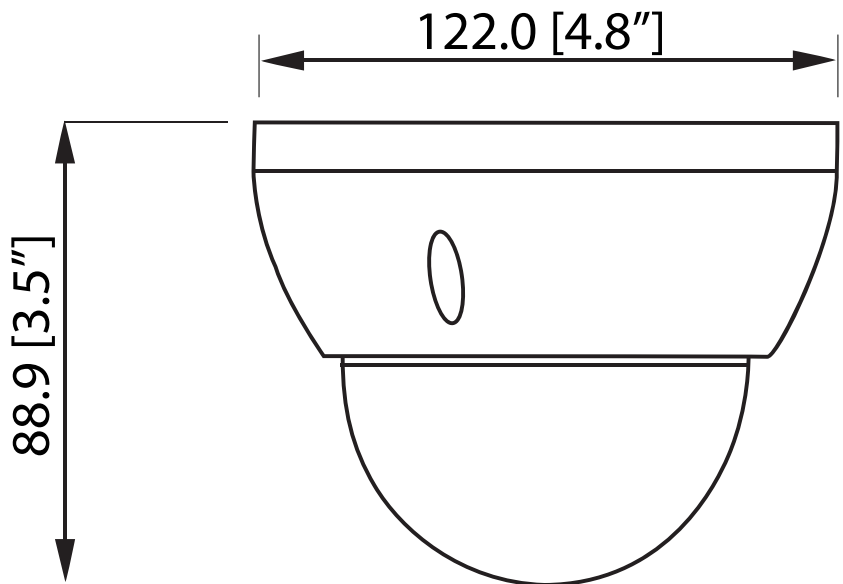
Interface

Audio Interface	N/A
------------------------	-----

General

Power Supply	12V DC ±25%
Power Consumption	Max 3.5W (12V DC, IR on)
Operating Conditions	-40°C ~ +60°C / Less than 90% RH
Storage Conditions	-40°C ~ +60°C / Less than 90% RH
Ingress Protection	IP66 & IK10

Casing	Aluminium
Dimensions	Φ122mm×88.9mm (Φ4.8"×3.5")
Net Weight	0.40kg (0.88lb)
Gross Weight	0.55kg (1.21lb)



All specifications are subject to change without notice. Copyright © Luxrite Ltd. All rights reserved