

SPRO[®]

DHD20/28RW-WDR

2Megapixel 1080P Water-proof
HDCVI IR Dome Camera



Key Features:

- 2 Megapixel CMOS
- 1080P@25fps
- High speed, long distance real-time transmission
- Day/Night(ICR), AWB, AGC, BLC, 2DNR
- WDR(120dB), AWB, AGC, BLC, 3D-DNR
- 2.8mm fixed lens
- Max. IR distance 20m, Smart IR
- Microphone built-in
- IP66 & IK10 vandal resistance
- DC12V

SPECIFICATIONS

Model Number	DHD20/28RW-WDR
Image Sensor	2Megapixel CMOS
Effective Pixels	1928(H)×1088(V)
Electronic Shutter Speed	1/3s~1/300,000s
Video Frame Rate	1080P@25fps
Synchronization	Internal
Min. Illumination	0.03Lux/F2.0, 0Lux IR on
Video Output	1-channel BNC HDCVI high definition video output & CVBS standard definition video output SD Tester out.

(continued)

Camera Features

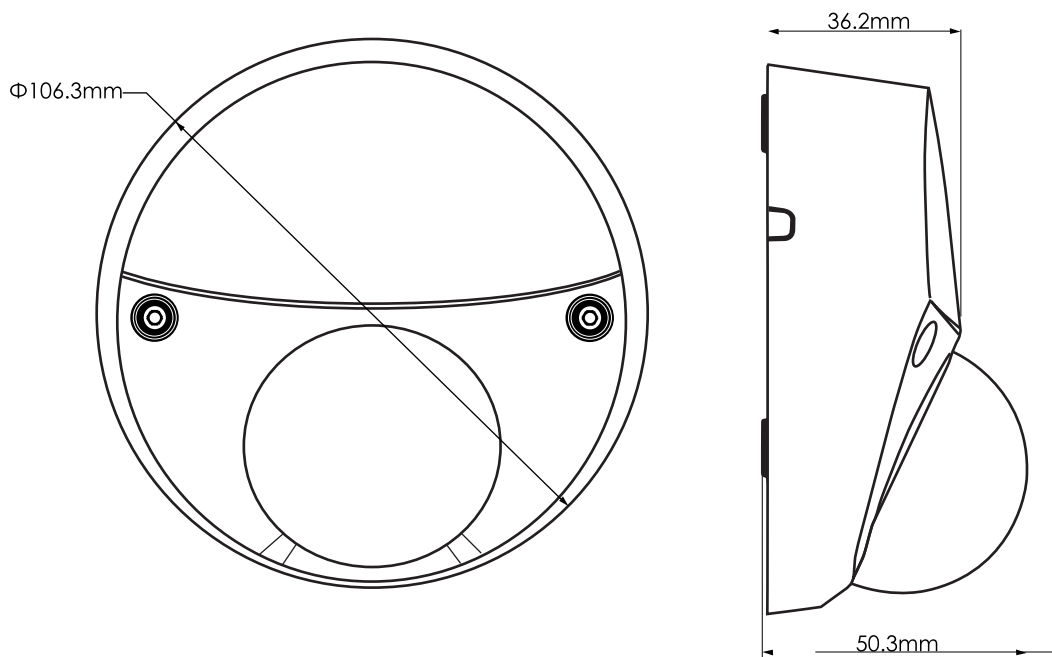
Max. IR distance	20m, Smart IR
Day/Night	Auto(ICR) / Color / B/W
Noise Reduction	2D/3D
OSD Menu	Multi-language

Lens

Focal Length	2.8mm
Angle of View	H: 90°(115.6°/59.4°)
Mount Type	M14

General

Power Supply	DC12V±25%
Power Consumption	Max 3.5W
Working Environment	-30°C~+60°C / Less than 95%RH (no condensation)
Transmission Distance	Over 500m via 75-3 coaxial cable
Ingress Protection	IP66
Dimensions	Ø106.3mm × 50.3mm
Weight	0.3kg
Material	Metal
Others	Microphone built-in



All specifications are subject to change without notice. Copyright © Luxrite Ltd. All rights reserved