

SPRO[®]

DHIPQ80/2712RW-A

8 Megapixel IP IR Bullet Camera



ONVIF



8 MEGAPIXEL



2.7~12 MM



H.265



50m IR



IP66



Key Features:

- 8 Megapixel progressive CMOS
- H.265&H.264 dual-stream encoding
- Max 25/30fps@3M(2304×1296) or 15fps@4K(3840×2160)
- DWDR, Day/Night(ICR), 3DNR, AWB, AGC, BLC
- Multiple network monitoring: Web viewer & CMS(SPRO CSS)
- 2.7~12mm motorized lens
- Max IR LEDs Length 50m
- IP66 waterproof
- DC12V/PoE



SPECIFICATIONS

Model Number	DHIPQ80/2712RW-A
Image Sensor	1/2.5" 8Megapixel progressive scan CMOS
Effective Pixels	3840(H)x2160(V)
Scanning System	Progressive
RAM/ROM	512MB/32MB
Min. Illumination	0.05Lux/F1.6 (Color), 0Lux/F1.6(IR on)
S/N Ratio	More than 50dB
IR Distance	up to 50m (164ft)
IR On/Off Control	Auto/ Manual
IR LEDs	4

(continued)

(continued)

Lens

Lens Type	Motorized/ Auto Iris(DC)
Mount Type	Board-in
Focal Length	2.7mm~12mm
Max. Aperture	F1.6
Angle of View	H:102°~39° , V:55°~22°
Optical Zoom	4x
Focus Control	Motorized
Close Focus Distance	0.3m

Pan/Tilt/Rotation

Pan/Tilt/Rotation Range	Pan:0°~360°; Tilt:0°~75°; Rotation:0°~360°
--------------------------------	--

Video

Compression	H.265/H.264
Streaming Capability	3 Streams
Resolution	4K(3840×2160)/6M(3072×2048)/5M(2592×1944)/ 3M(2048×1536)/3M(2304×1296)/ 1080P(1920×1080)/1.3M(1280×960)/ 720P(1280×720)/D1(704×576/704×480) /VGA(640×480)/CIF(352×288/352×240)
Frame Rate	Main Stream: 4K(1~15fps)/3M(1~25/30fps) Sub Stream: D1(1~25/30fps) / Third Stream: 720P(1~25/30fps)
Bit Rate Control	CBR/VBR
Bit Rate	H.264: 2304K ~ 10240Kbps H.265: 768K ~ 7424Kbps
Day/Night	Auto(ICR) / Color / B/W
BLC Mode	BLC / HLC / DWDR
White Balance	Auto/Natural/Street Lamp/Outdoor/Manual
Gain Control	Auto/Manual
Noise Reduction	3D DNR
Motion Detetion	Off / On (4 Zone, Rectangle)
Region of Interest	Off / On (4 Zone)
Electronic Image Stabilization (EIS)	N/A
Smart IR	Support

(continued)

Defog	N/A
Digital Zoom	16x
Flip	0°/90°/180°/270°
Mirror	Off / On
Privacy Masking	Off / On (4 Area, Rectangle)
Audio	
Compression	G.711a/ G.711Mu/ AAC/ G.726
Network	
Ethernet	RJ-45 (10/100Base-T)
Protocol	HTTP; HTTPS; TCP; ARP; RTSP; RTP; UDP; SMTP; FTP; DHCP; DNS; DDNS; PPPOE; IPv4/v6; QoS; UPnP;NTP; Bonjour; 802.1x; Multicast; ICMP; IGMP; SNMP
Interoperability	ONVIF, PSIA, CGI
Streaming Method	Unicast / Multicast
Max. User Access	10 Users /20 Users
Edge Storage	NAS Local PC for instant recording Mirco SD card 128GB
Web Viewer	IE, Chrome, Firefox, Safari
Management Software	SPRO CSS, EASYVIEWER
Smart Phone	iPhone, iPad & Android
Certifications	
Certifications	CE (EN 60950:2000) UL:UL60950-1 FCC: FCC Part 15 Subpart B
Interface	
Video Interface	N/A
Audio Interface	1/1 channel In/Out
RS485	N/A
Alarm	2/1 channel In/Out

Electrical

Power Supply DC12V, PoE(802.3af)(Class 0)

Power Consumption <11.5W

Environmental

Operating Conditions -30° C ~ +60° C (-22° F ~ +140° F) / Less than 95% RH

Storage Conditions -30° C ~ +60° C (-22° F ~ +140° F) / Less than 95% RH

Ingress Protection IP67

Vandal Resistance N/A

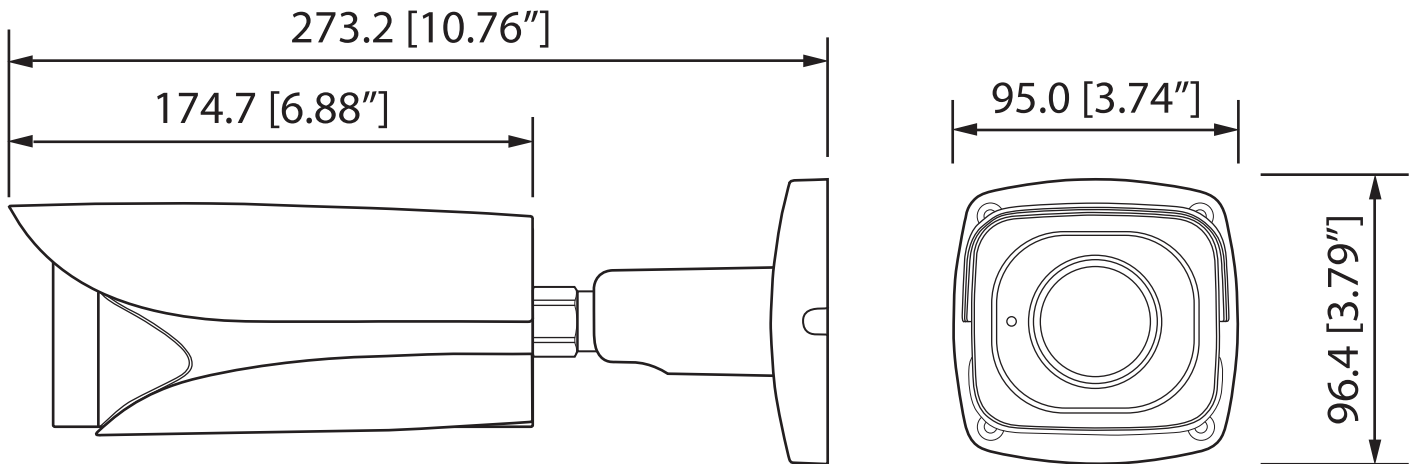
Construction

Casing Metal

Dimensions 273.2mm×95.0mm×96.4mm (10.76"×3.74"×3.79")

Net Weight 1.07Kg (2.36lb)

Gross Weight 1.4Kg (3.09lb)



All specifications are subject to change without notice. Copyright © Luxrite Ltd. All rights reserved