

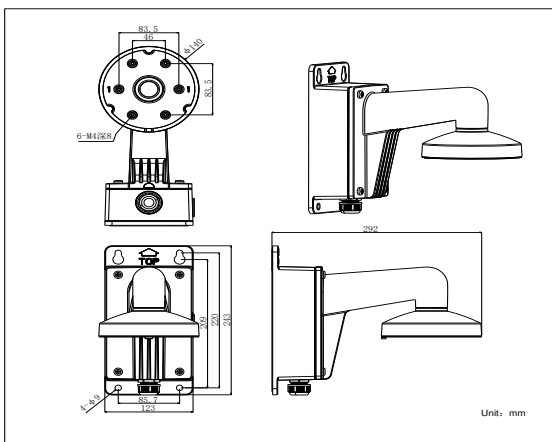
## DS-1273ZJ-140B

DS-2CC51xxP(N) Wall Mounting Bracket for Dome Camera (with Junction box)

### Features:

- Aluminum alloy material with surface spray treatment
- The outlet hole makes the feature looks better
- Better water proof design
- Convenient installation coordinating with lower bowl

### Dimension:



### Order Model:

DS-1273ZJ-140B

### Parameter:

|                      |                                                                          |
|----------------------|--------------------------------------------------------------------------|
| Model                | DS-1273ZJ-140B                                                           |
| Parameters           | DS-2CC51xxP(N) Wall Mounting Bracket for Dome Camera (with Junction box) |
| Appearance           | Hikvision White                                                          |
| Range of Application | Suitable for DS-2CC51xxP(N) dome camera wall mounting                    |
| Material             | Aluminum Alloy                                                           |
| Dimension            | Φ140 × 182 × 120mm                                                       |
| Weight               | 1488g                                                                    |

### Notice:

- The bracket is for DS-2CC51xxP(N)-VF dome camera
- Pay attention to the color matching when select bracket
- The bracket should be installed on flat wall
- The wall must be capable of supporting over 3 times as much as the total weight of the camera and the mount
- The maximum load capacity of the bracket is 4.5KG

### Model Suitable:

DS-2CC51xxP(N)-VP  
 DS-2CC51xxP(N)-VPIR  
 DS-2CC51xxP(N)-VPIRH