

DS-1280ZJ-PT6

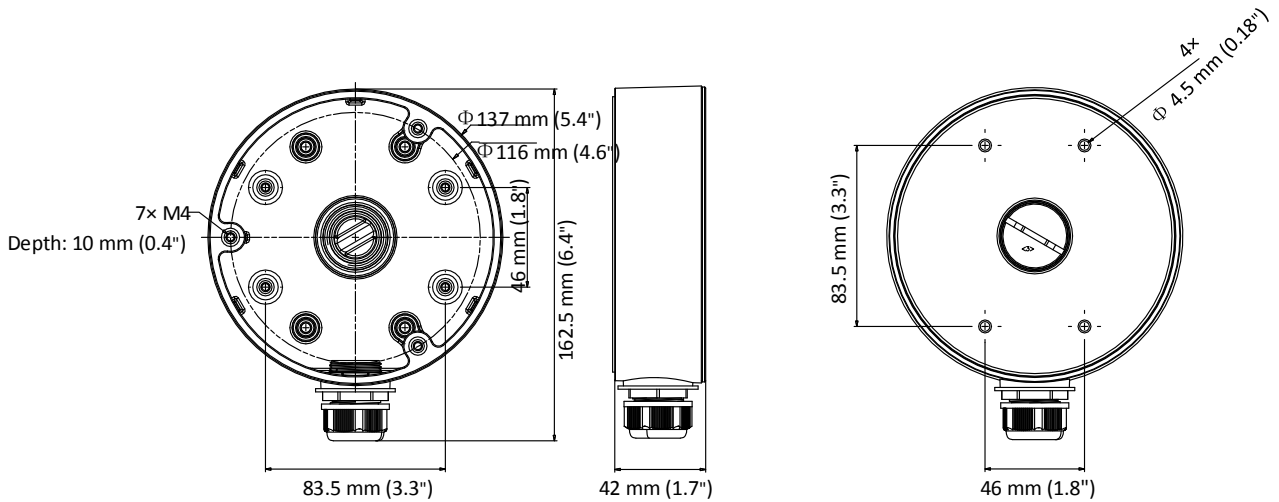
Junction Box for Dome Camera



Features

- Aluminum alloy material with surface spray treatment
- Side inlet and bottom inlet

Dimension



Available Model

DS-1280ZJ-PT6

Parameter

Model	DS-1280ZJ-PT6
Parameters	Wall Mounting for Dome Camera
Appearance	Hikvision White
Material	Aluminum Alloy
Dimension	$\Phi 137$ mm \times 42 mm (5.4" \times 1.7")
Weight	280 g (0.62 lb.)

Notes

- The Junction box should be installed on the flat surface.
- The wall must be capable of supporting at least 3 times as much as the total weight of the camera and the mounting bracket.
- The maximum load capacity of the bracket is 4.5KG (9.9 lb.).