

DS-2CE16D7T-IT3Z HD1080P Motorized VF EXIR Bullet Camera



Key Features

- 2 Megapixel high-performance CMOS
- Analog HD output, up to 1080P resolution
- 2.8-12mm motorized vari-focal lens
- True Day/Night
- OSD menu, DNR, Smart IR
- True WDR, up to 120dB
- EXIR technology, up to 40m IR distance
- IP66 weatherproof
- Up the Coax(HIKVISION-C)



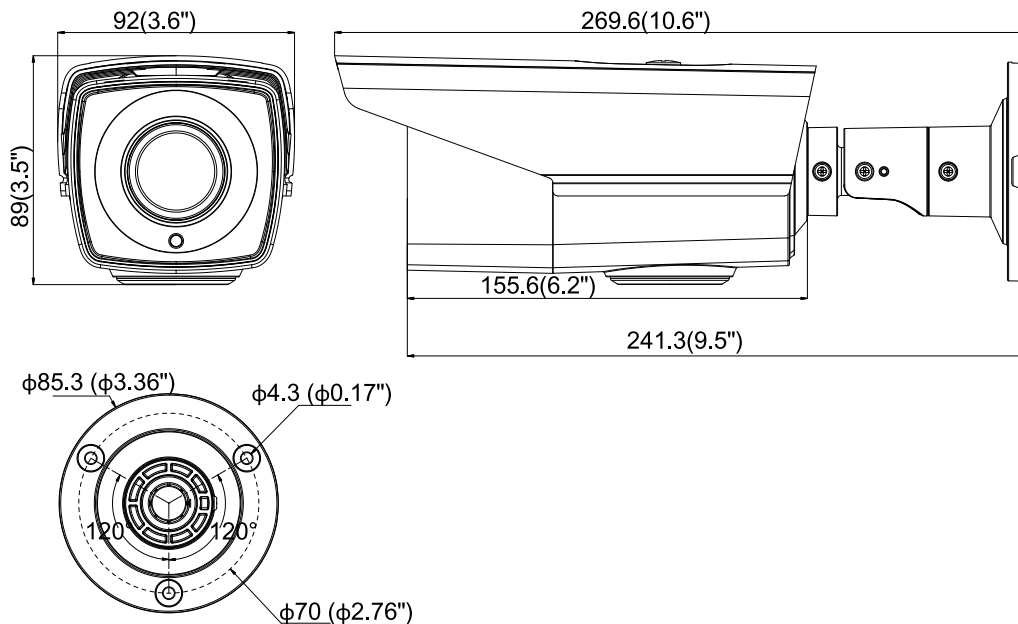
Specifications

Camera	
Image Sensor	2MP CMOS Image Sensor
Signal System	PAL/NTSC
Effective Pixels	1928(H)*1088(V)
Min. illumination	0.01 Lux @ (F1.2,AGC ON), 0 Lux with IR
Shutter Time	1/25s to 1/50,000s
Lens	Motorized VF lens; 2.8 - 12 mm @ F1.2
Lens Mount	φ14
Day & Night	ICR
Angle Adjustment	Pan: 0° - 360°; Tilt:0° - 90°; Rotate: 0° - 360°
Synchronization	Internal Synchronization
WDR	120dB
Video Frame Rate	1080p@25fps/1080p@30fps
HD Video Output	1 Analog HD output
S/N Ratio	>62dB
Menu	
AGC	Support
D/N Mode	Color/BW/SMART
White Balance	ATW/ MWB
BLC	Support
Functions	Wide Dynamic Range, Digital noise reduction, Mirror, SMART IR
General	
Operating Conditions	-40 °C – 60 °C (-40 °F – 140 °F) , Humidity 90% or less (non-condensing)
Power Supply	12 VDC ± 15%
Power Consumption	Max. 6W
Protection Level	IP66
IR Range	Up to 40m
Communication	Up the coax, Protocol: HIKVISION-C (TVI output)
Dimensions	92mm×84.8mm×269.6mm (3.62"×3.34"×3.34")
Weight	Approx. 900g (1.98lb)

Order Models

DS-2CE16D7T-IT3Z, DS-2CE16D7T-AIT3Z

Dimensions



Unit: mm

Accessories



DS-1275ZJ

Vertical Pole Mounting



DS-1280ZJ-S

Junction Box



DTV-BALUN/HD

Video Balun



CCTV-TESTER/TVI

Camera Tester

Distributed by



Headquarters

No.555 Qianmo Road, Binjiang District,
Hangzhou 310051, China
T +86-571-8807-5998
overseasbusiness@hikvision.com

Hikvision USA
T +1-909-895-0400
sales.usa@hikvision.com

Hikvision Italy
T +39-0438-6902
info.it@hikvision.com

Hikvision Singapore
T +65-6684-4718
sg@hikvision.com

Hikvision Europe
T +31-23-5542770
saleseuro@hikvision.com

Hikvision France
T +33(0)1-85-330-444
info.fr@hikvision.com

Hikvision Oceania
T +61-2-8599-4233
salesau@hikvision.com

Hikvision Middle East
T +971-4-8816086
salesme@hikvision.com

Hikvision Spain
T +34-91-737-16-55
info.es@hikvision.com

Hikvision Hong Kong
T +852-2151-1761

Hikvision Russia
T +7-495-669-67-99
saleru@hikvision.com

Hikvision Poland
T +48-22-460-01-50
poland@hikvision.com

Hikvision Canada
T +1-909-895-0400
sales.usa@hikvision.com

Hikvision India
T +91-22-28469900
sales@pramahikvision.com

Hikvision UK
T +44-1628-9021-4
support.uk@hikvision.com