

Network Video Recorder

NVR516-E-R Series



Features

- Support Ultra 265/H.265/H.264 video formats
- 64/128-channel input
- Support mainstream cameras of ONVIF conformance(Profile S, Profile G, Profile T) and RTSP protocols
- Support 2-ch HDMI, 2-ch VGA, HDMI1 at up to 8K(7680x4320) resolution, HDMI2 at up to 4K(3840x2160) resolution
- VGA1 and HDMI1 simultaneous output, VGA2 and HDMI2 simultaneous output. VGA1/HDMI1 and VGA2/HDMI2 independent output
- Up to 32 Megapixels resolution recording
- Redundant power supply optional
- Support HDD hot swap with RAID 0, 1, 5, 6, 10, 50, 60 storage scheme configurable
- 16 SATA HDDs, up to 16TB for each HDD
- Support 12V power output
- ANR technology to enhance the storage reliability when the network is disconnected
- Support cloud upgrade
- Support N+1 Hot spare

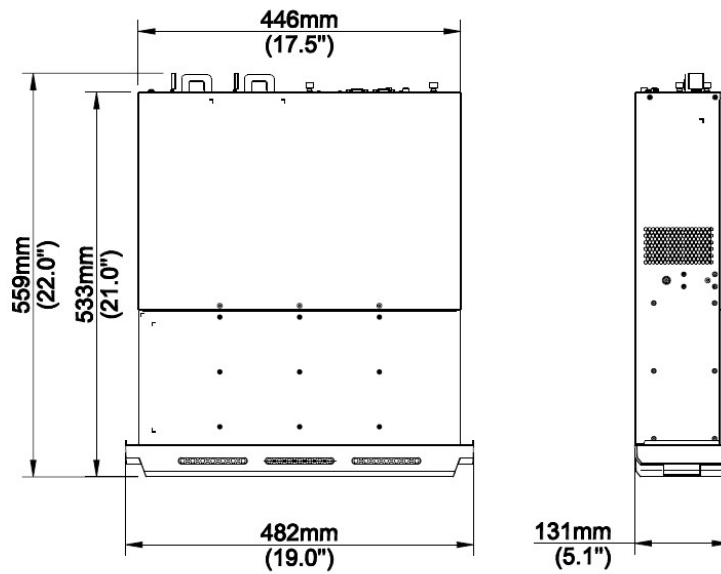
Specifications

| Decoding | Description |
|-------------------------------|---|
| Decoding Format | Ultra 265,H.265,H.264 |
| Decoding Capability | NVR516-64E- R:2 x 32MP@30, 4 x 16MP@30, 5 x 12MP@30, 8 x 4K@30, 12 x 5MP@30, 16 x 4MP@30, 20 x 3MP@30, 32 x 1080P@30, 54 x 960P@30, 64 x 720P@30 NVR516-128E- R:2 x 32MP@30, 4 x 16MP@30, 5 x 12MP@30, 8 x 4K@30, 12 x 5MP@30, 16 x 4MP@30, 20 x 3MP@30, 32 x 1080P@30, 54 x 960P@30, 64 x 720P@30, 128 x D1 |
| Audio Compression | G.711A,G.711U |
| Network | Description |
| Incoming Bandwidth | 640Mbps |
| Outgoing Bandwidth | 640Mbps |
| Remote Users | 128 |
| Protocols | TCP/IP;P2P;UPnP;NTP;DHCP;PPPoE;HTTP;HTTPS;DNS;DDNS;SNMP;SMTP;NFS;RTSP;802.1x;IPv6 |
| Browser(Plugin) | IE(IE10/11)for Windows,Firefox(version 52.0 and above)for Windows,Chrome(version 45 and above)for Windows,Edge(version 79 and above)for Windows |
| Video/Audio Input | Description |
| IP Video Input | NVR516-64E-R:64-ch NVR516-128E-R:128-ch |
| RCA Audio Input | 1-ch |
| Video/Audio Output | Description |
| HDMI Output | HDMI1:8K(7680x4320)/60Hz,4K(3840x2160)/30Hz,1920x1080/60Hz,1920x1080/50Hz,1600x1200/60Hz,1280x1024/60Hz,1280x720/60Hz,1024x768/60Hz HDMI2:4K(3840x2160)/30Hz,1920x1080/60Hz,1920x1080/50Hz,1600x1200/60Hz,1280x1024/60Hz,1280x720/60Hz,1024x768/60Hz |
| VGA Output | VGA1/VGA2:1920x1080/60Hz,1920x1080/50Hz,1600x1200/60Hz,1280x1024/60Hz,1280x720/60Hz,1024x768/60Hz |
| RCA Audio Output | 2-ch |
| Liveview Display | 1/4/6/8/9/16/25/36/64 |
| Corridor Mode Screen | 3/4/5/7/9/10/12/16/32 |
| Two-way Audio | Description |
| Two-way Audio | 1-ch,RCA(Using the audio input and output) |
| Snapshot | Description |
| FTP/Schedule/Event Snapshot | 16-ch snapshot,up to 1080P resolution |
| Recording | Description |
| Recording Resolution | 32MP/16MP/12MP/8MP/6MP/5MP/4MP/3MP/1080P/960P/720P/D1/2CIF/CIF |
| Synchronous Playback in Local | 16-ch |
| Smart | Description |
| VCA Detection by IPC | Face Detection;Face Comparison;Vehicle Detection;SIP(Intrusion Detection,Cross Line Detection,Enter Area,Leave Area);Ultra Motion Detection(UMD);Temperature Detection(Fire Detection,Smoking Detection,Temperature Measurement,Smoke and Fire Detection);People Counting(People Flow Counting,Crowd Density Monitoring);Video Metadata;Traffic M |

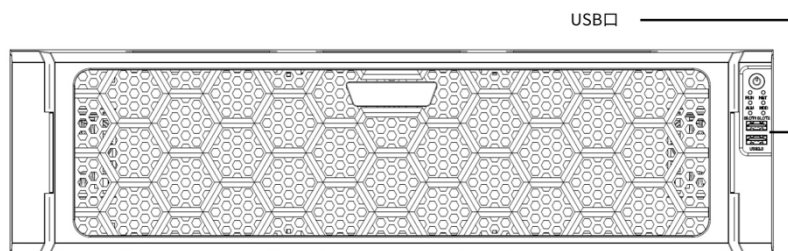
| | |
|---------------------------------|--|
| | Monitoring |
| VCA Search | Face Snapshot Search;Face Comparison Search;Motor Vehicle Search;Non-Motor Vehicle Search;Human Body Search;General Search;People Counting Report;Heat Map |
| Smart by IPC | Total 64-ch(Face Detection,Face Comparison,Vehicle Detection,Temperature Detection,SIP,UMD, Video Metadata,Traffic Monitoring) |
| Alarm | Description |
| General Alarm | Defocus Detection;Scene Change Detection;Object Left Behind;Object Removed;Auto Tracking;Motion Detection;Tampering;Human Body Detection;Video Loss;Alarm Input;Audio Detection |
| Alert Alarm | IP Conflict;Network Disconnected;Disk Offline;Disk Abnormal;Illegal Access;Hard Disk Space Low;Hard Disk Full;Recording/Snapshot Abnormal |
| GUI Language | Description |
| GUI Language | 38 languages: Simplified Chinese, Traditional Chinese, English, Vietnamese, Thai, Turkish, Spanish (Latin America), Portuguese (Brazil), Spanish, Portuguese, French, German, Italian, Dutch, Polish, Czech, Hungarian, Slovak, Russian, Hebrew, Arabic, Ukrainian, Estonian, Bulgarian, Greek, Romanian, Danish, Swedish, Norwegian, Finnish, Croatian, Slovenian, Serbia, Korean, Japanese, Latvian, Lithuanian, Persian |
| Hard Disk | Description |
| SATA | 16 SATA Interfaces |
| Capacity | Up to 16TB for each HDD |
| Disk Group | Support |
| Redundant Storage | Support |
| Disk Array Type | RAID 0,1,5,6,10,50,60 |
| Hot Swap | Support |
| External Interface | Description |
| Network Interface | 2 RJ45 10M/100M/1000M self-adaptive Ethernet Interface |
| USB | Front panel: 2 x USB2.0;Rear panel: 2 x USB3.0 |
| RS485 | 1 |
| RS232 | 1 |
| Alarm In | 16-ch |
| Alarm Out | 10-ch |
| eSATA | 1 |
| Power Output | 12V |
| Power Supply | AC 100~240V |
| Power Switch | Support |
| Redundant Power Supply | Support |
| Working Environment | Description |
| Working Temperature | -10° C ~ + 55° C (+14° F ~ +131° F) |
| Working Humidity | ≤ 90% RH (non-condensing) |
| Power Consumption (without HDD) | ≤ 50W |
| Dimensions | Description |

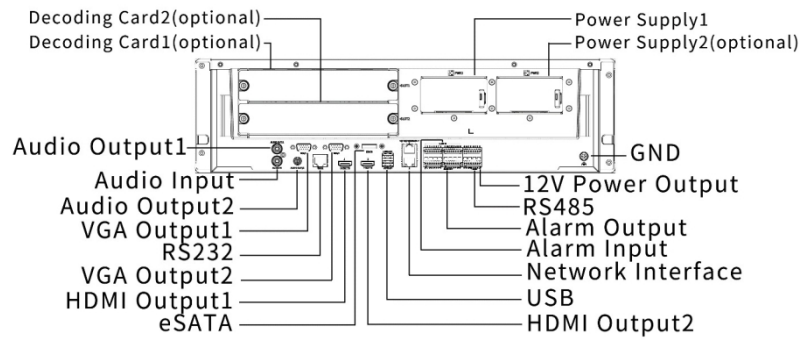
| | |
|----------------------|---|
| Weight (without HDD) | ≤ 6.5Kg (14.3lb) |
| Height | 3U |
| Dimensions | 482mm × 533mm × 131mm (19.0"×21.0"×5.1") |
| Certification | Description |
| Certification | CE,FCC,UL,RoHS,WEEE |
| CE | EN 55032,EN 61000-3-3,EN IEC 61000-3-2,EN 55035 |
| FCC | Part15 Subpart B |

Dimensions



Rear Panel





Zhejiang Uniview Technologies Co., Ltd.

No. 369, Xietong Road, Xixing Sub-district, Binjiang District, Hangzhou City, 310051, Zhejiang Province, China

Email: overseasbusiness@uniview.com; globalsupport@uniview.com

<http://www.uniview.com>

©2023-2024 Zhejiang Uniview Technologies Co., Ltd. All rights reserved.

*Product specifications and availability are subject to change without notice.

*Despite our best efforts, technical or typographical errors may exist in this document. Uniview cannot be held responsible for any such errors and reserves the right to change the contents of this document without prior notice.