

## IPC-P220-D/W(W) 2 MP Network PT Camera



- Support Wi-Fi connection
- Support Motion 2.0, human detection
- Built-in microphone and speaker, support two-way audio
- Mobile monitoring via mobile application
- Support on-board storage, up to 512 GB
- Clear imaging against strong back light due to DWDR technology
- 3D DNR technology delivers clean and sharp images
- Hik-Connect cloud service and app for remote management and views of devices

## ▪ Specification

<b>Camera</b>	
Image Sensor	1/3" Progressive Scan CMOS
Max. Resolution	1920 × 1080
Min. Illumination	Color: 0.05 Lux @ (F2.0, AGC ON), B/W: 0 Lux with IR
Shutter Time	1/3 s to 1/100, 000 s
Day & Night	IR cut filter
Angle Adjustment	Pan: 0° to 360°, tilt: 0° to 90°, rotate: 0° to 360°
<b>Lens</b>	
Focal Length & FOV	4 mm, horizontal FOV 75°, vertical FOV 45°, diagonal FOV 85°
Lens Mount	M12
Aperture	F2.0
<b>Illuminator</b>	
Supplement Light Type	IR
Supplement Light Range	Up to 10 m
<b>Video</b>	
Main Stream	50 Hz: 25 fps (1920 × 1080, 1280 × 720, 768 × 432) 60 Hz: 30 fps (1920 × 1080, 1280 × 720, 768 × 432)
Sub-Stream	50 Hz: 25 fps (768 × 432, 512 × 288) 60 Hz: 30 fps (768 × 432, 512 × 288)
Video Compression	Main stream: H.265/H.264 Sub-stream: H.265/H.264
Video Bit Rate	Up to 1 M bps
Frame Rate	Max.15 fps Self-Adaptive during network transmission
<b>Audio</b>	
Audio Compression	G.711/AAC-LC
Audio Bit Rate	64 Kbps (G.711ulaw/G.711alaw)/16 to 64 Kbps (AAC-LC)
Audio Sampling Rate	8 kHz/16 kHz
Environment Noise Filtering	Yes
<b>Network</b>	
Protocols	TCP/IP, ICMP, HTTP, HTTPS, FTP, DHCP, DNS, RTP, RTSP, RTCP, NTP, UPnP, IGMP, QoS, IPv4, UDP, Bonjour, SSL/TLS
Simultaneous Live View	Up to 4 channels
API	ONVIF (Profile S, Profile T, Profile G), SDK
User/Host	Administrator
Security	Password protection, HTTPS encryption, Security Audit Log, basic and digest authentication for HTTP/HTTPS, TLS 1.1/1.2, WSSE for Open Network Video Interface
Client	iVMS-4200, HiLookVision, Hik-Partner-Pro
<b>Wi-Fi</b>	
Encryption Mode	WPA-PSK/WPA2-PSK
Frequency Range	2.412 GHz to 2.472 GHz
Channel Bandwidth	20 MHz

Transfer Rate	11b: up to 54 Mbps, 11g: up to 54 Mbps, 11n: up to 150 Mbps
Wireless Range	Up to 50 m (The performance varies based on actual environment)
<b>Image</b>	
Image Settings	Saturation, brightness, contrast, sharpness, gain, white balance, adjustable by client software
Day/Night Switch	Auto
Wide Dynamic Range (WDR)	Digital WDR
Privacy Mask	4 programmable polygon privacy masks
<b>Interface</b>	
Ethernet Interface	1 RJ45 10M/100M self-adaptive Ethernet port
On-Board Storage	Built-in memory card slot, support microSD card, up to 512 GB
Built-in Microphone	Yes, 1 built-in microphone
Built-in Speaker	Yes, 1 built-in speaker
Reset Key	Yes
<b>Event</b>	
Basic Event	Motion detection (support alarm triggering by specified target type (human)), exception
<b>General</b>	
Material	Plastic
Dimension	Ø80 mm × 122 mm (Ø3.14" × 4.8")
Package Dimension	105 mm × 105 mm × 190 mm (4.1" × 4.1" × 7.5")
Weight	Approx. 216 g (0.48 lb.)
With Package Weight	Approx. 554 g (1.22 lb.)
Storage Conditions	-10 °C to 45 °C (14 °F to 113 °F). Humidity 95% or less (non-condensing)
Startup and Operating Conditions	-10 °C to 45°C (14 °F to 113 °F). Humidity 95% or less (non-condensing)
Power	5 VDC ± 10%, 1 A, max. 5 W
General Function	Heartbeat, mirror
Flashing Light	Red and Blue Light
<b>Approval</b>	
RF	CE-RED (EN 301489-1 V2.1.1(BT or 2.4G); EN 301489-17 V3.1.1(BT or 2.4G); EN 300328 V2.1.1(BT or 2.4G); EN 62311:2008(BT or 2.4G))
EMC	CE-EMC: EN 55032: 2015, EN 61000-3-2:2019, EN 61000-3-3: 2013+A1:2019, EN 50130-4: 2011 +A1: 2014
Safety	CE-LVD: EN 62368-1: 2014/A11: 2017
Environment	CE-RoHS: 2011/65/EU, WEEE: 2012/19/EU

## ▪ Typical Application

Hikvision products are classified into three levels according to their anti-corrosion performance. Refer to the following description to choose for your using environment.

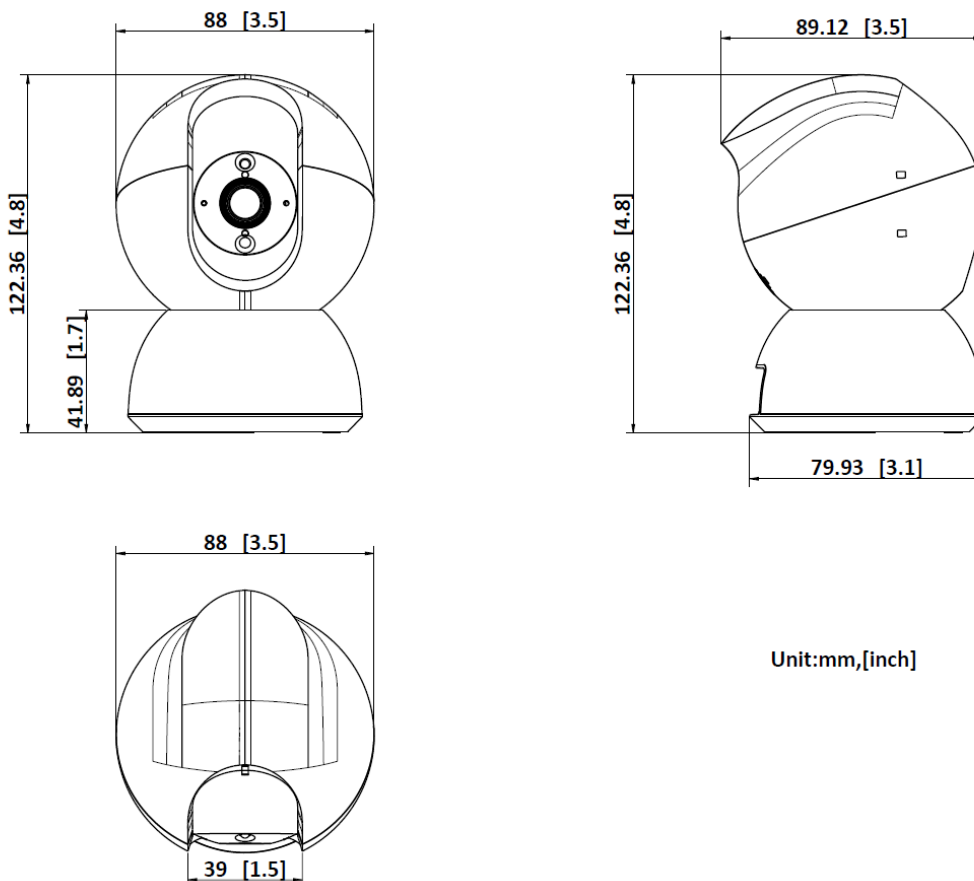
This model has NO SPECIFIC PROTECTION.

Level	Description
Top-level protection	Hikvision products at this level are equipped for use in areas where professional anti-corrosion protection is a must. Typical application scenarios include coastlines, docks, chemical plants, and more.
Moderate protection	Hikvision products at this level are equipped for use in areas with moderate anti-corrosion demands. Typical application scenarios include coastal areas about 2 kilometers (1.24 miles) away from coastlines, as well as areas affected by acid rain.
No specific protection	Hikvision products at this level are equipped for use in areas where no specific anti-corrosion protection is needed.

### ▪ Available Model

IPC-P220-D/W(4mm)(W)

### ▪ Dimension



Unit:mm,[inch]



#### Headquarters

No.555 Qianmo Road, Binjiang District,  
Hangzhou 310051, China  
T +86-571-8807-5998  
Technical Support: support@hikvision.com

Follow us on social media to get the latest product and solution information.



Hikvision



HikvisionHQ



HikvisionHQ



Hikvision\_Global



Hikvision  
Corporate Channel



hikvisionhq